

Exchange of carburetor support springs on ROTAX® Engine Type 912 and 914 (Series)

ATA System: 73-00-00 Fuel system

MANDATORY

1) Planning information

To obtain satisfactory results, procedures specified in this publication must be accomplished with accepted methods in accordance with prevailing legal regulations.

BRP-Rotax GmbH & Co KG cannot accept any responsibility for the quality of work performed in accomplishing the requirements of this publication.

1.1) Applicability

All engines of Series 912 A, 912 F, 912 S and 914 F are affected, if at least one of following criteria applies:

Criterion A) Engine Serial number:

These engines have been originally delivered from the factory with the affected support springs part no. 838242.

Engine type	Serial number
912 A	from S/N 4411642 up to S/N 4411646 inclusive
912 F	from S/N 4413190 up to S/N 4413194 inclusive
912 S	S/N 9139687 / from S/N 9139697 up to S/N 9139781 inclusive from S/N 9139801 up to S/N 9139809 inclusive from S/N 9139811 up to S/N 9139822 inclusive from S/N 9139824 up to S/N 9139827 inclusive / S/N 9139829 from S/N 9139831 up to S/N 9139838 inclusive
914 F	from S/N 4422346 up to S/N 4422391 inclusive from S/N 4422393 up to S/N 4422395 inclusive / S/N 4422400

Criterion B) Carburetors:

These carburetors have been originally delivered from the factory with the affected support springs part no. 838242.

Engine type	Carburetors part no.	Serial number
912 A/F	1/3 part no. 892500 2/4 part no. 892505	The part numbers and serial numbers of the carburetors mentioned in Chapter 4) Appendix*.
912 S	1/3 part no. 892530 2/4 part no. 892535	The part numbers and serial numbers of the carburetors mentioned in Chapter 4) Appendix*.
914 F	1/3 part no. 892520 2/4 part no. 892525	The part numbers and serial numbers of the carburetors mentioned in Chapter 4) Appendix*.

d06906.fm

SERVICE BULLETIN

* To easily search for applicable carburetor serial numbers, go to Chapter 4) Appendix of this document and use the “search” or “find” function of your PDF reader software. (To identify the location of serial number printed on the carburetors, refer to section 3.5.1 or Service Bulletin SB-912-075/SB-914-057). This function normally should be found in one of the menu bars or press the “Ctrl + F” buttons simultaneously to reveal a pop-up menu. The menu will feature a search box where you can enter the serial number to be searched for in this document.

Use this search box to enter the serial number in the 6-digit format as shown in Chapter 4) Appendix and click on the “Next” button to proceed with the search.

NOTE: The part numbers and serial numbers of the carburetors mentioned in Chapter 4) Appendix comprise all the carburetors delivered installed on engines as mentioned in Criterion A) and all carburetors delivered as a spare part.

Criterion C) Spare parts:

Further all engines are affected, which have been equipped with carburetors with part number and serial number listed within Criterion B) above during engine repair, maintenance or general overhaul or any other exchange action.

Further all engines are affected, which have been equipped since January 22nd, 2021 with carburetor support spring part no. 838242 as a spare part or provided within a service kit carburetor, maintenance kit carburetor and overhaul kits during engine repair, maintenance or general overhaul or any other exchange action.

NOTE: The carburetor and/or the spring may have been removed from the initial engine and used on another one.
Engines and/or carburetors with serial numbers higher than in Criterion A or B have already been equipped with unaffected springs.
For relevant information, see the maintenance records and/or the logbook.

1.2) Concurrent ASB/SB/SI and SL

In addition to this Service Bulletin the following documents must be observed and complied with:

- in general all relevant Alert Service Bulletins (ASB), Service Bulletins (SB), Service Instructions (SI), Service Letters (SL), Service Instruction - Parts and Accessories (SI-PAC) with relevance to perform this maintenance, repair or overhaul task.
- Service Instruction-SI-912-021/SI-914-023/SI-2ST-009, “Inspection of carburetors”, current issue.

1.3) Reason

Due to a deviation in the manufacturing process some support springs of part no. 838242 could fracture and break. The spring plays an important role in supporting the carburetor and reduces the stress of the carburetor flange.

1.4) Subject

Exchange of support spring on ROTAX® Engine Type 912 and 914 (Series).

1.5) Compliance

- Carry out this exchange of the spring on the engines listed in section 1.1., according to the instructions in section 3 at the next ROTAX® scheduled maintenance event, but at the latest after 1 year (from the date of the initial issue of this Service Bulletin)
- On undelivered engines/spare parts prior to delivery
- Before the initial installation of engine and/or spare part

d06906.fm

SERVICE BULLETIN



Non-compliance with these instructions could result in engine damages, personal injuries or death.

These maintenance instructions shall be considered at any maintenance events, retrofitting, repair and overhaul.

1.6) Approval

The technical content of this document is approved under the authority of the DOA ref. EASA.21J.048.

1.7) Labor time.

A labor credit will be provided for work performed by a technician with current applicable iRMT rating.

Work performed	iRMT rating required	Labor credit
Disassembly, replacement of parts, re-assembly, test run and logbook entry as per Chapter 3 (per engine)	iRMT Maintenance Line	0.5 h*

* in this case no labor will be covered for engine test run as this work is anyhow performed in course of a standard maintenance event.

To apply for labor credit, contact your ROTAX® Authorized Distributor or their independent Service Centers.

1.8) Mass data

Change of weight - - - none.
 Moment of inertia - - - unaffected.

1.9) Electrical load data

No change.

1.10) Software modifications

No change.

1.11) References

In addition to this technical information refer to current issue of

- in general Illustrated Parts Catalog (IPC) and in particular: Chapter 73-00-00
- in general Maintenance Manual Line (MML) and in particular: Chapter 05-20-00 - section Checking the carburetor Chapter 12-20-00
- in general Maintenance Manual Heavy (MMH) and in particular: Chapter 73-00-00

NOTE: The status of the Manuals can be determined by checking the table of amendments. The 1st column of this table shows the revision status. Compare this number to the one listed on the ROTAX website: www.flyrotax.com. Updates and current revisions can be downloaded for free.

d06906.fm

SERVICE BULLETIN

1.12) Other Publications affected

None.

1.13) Interchangeability of parts

- All used parts and affected springs part no. 838242 unserviceable and must be returned FCA (Free CArrier) to ROTAX® authorized distributors or their independent Service Centers

NOTE: For carburetors, service kits carburetor, maintenance kit carburetor, overhaul kit etc. replace affected springs part no. 838242 (see Fig. 2).

2) Material Information

2.1) Material

Price and availability will be provided on request by ROTAX® Authorized Distributors or their independent Service Centers.

2.2) Company support information

- Any possible support by BRP-Rotax will be provided on request by ROTAX® Authorized Distributors or their independent Service Centers
- Exchanged parts must be returned FCA (Free CArrier) to ROTAX® Authorized Distributors or their independent Service Centers
- This exchange program and cost sharing is valid until July 1st 2022. Up to this date limited reimbursement of costs can be applied for
- Shipping costs, downtime costs, loss of income, telephone costs etc. or costs of conversion to other engine versions or additional work, as for instance simultaneous engine overhauls are not covered in this scope and will not be borne or reimbursed by ROTAX®

2.3) Material requirement per engine

Parts requirement:

Fig.no.	Part no.	Qty/ engine	Description	Application
	838242	2	Spring	Carburetors engine types 912/914 (Series)

2.4) Material requirement per spare part

None.

2.5) Rework of parts

None.

2.6) Special tooling/lubricants- /adhesives- /sealing compounds

None.

d06906.fm

SERVICE BULLETIN

3) Accomplishment/Instructions

- ROTAX® reserves the right to make any amendments to existing documents, which might become necessary due to this standardization, at the time of next revision or issue.
- NOTE: Before maintenance, review the entire documentation to make sure you have a complete understanding of the procedure and requirements.

Accomplishment

All measures must be implemented and confirmed by at least one of the following persons or organizations:

- ROTAX® - Airworthiness representatives
- ROTAX® - Authorized Distributors or their independent Service Centers
- Persons approved by the respective Aviation Authorities
- Persons with approved qualifications for the corresponding engine types. Only authorized persons (iRMT, Level Line Maintenance) are entitled to carry out this work
- Persons with type-specific training



All work has to be performed in accordance with the relevant ROTAX® Instructions for Continued Airworthiness (ICA) of the respective engine type.

General

Further material on general inspection, maintenance and repair can be found also in relevant Advisory Circular AC 43.13 from FAA.

Advisory Circular

The Advisory Circular (AC) contains maintenance methods, techniques and practices.

Step	Procedure
1	Check the criteria given on page 1, section 1.1, if the aircraft engine is affected by this SB.
2	Check the engine logbook and maintenance documentation, if this SB has already been accomplished.

Safety



WARNING Proceed with this work only in a non-smoking area and not close to sparks or open flames. Switch off ignition and secure engine against unintentional operation. Disconnect negative terminal of aircraft battery.



WARNING Risk of scalds and burns! Allow engine to cool sufficiently and use appropriate safety equipment while performing work.

3.1) Illustrated Parts Catalog - related information



See relevant Illustrated Parts Catalog (IPC) for the respective engine type, Chapter 73-00-00.

d06906.fm

SERVICE BULLETIN

3.2) Installation - related information



See current Installation Manual (IM) for the respective engine type.

3.3) Operation - related information



See current Operators Manual (OM) for the respective engine type.

3.4) Maintenance (Line) - related information



See current Maintenance Manual Line (MML) for the respective engine type.

3.5) Maintenance (Heavy) - related information

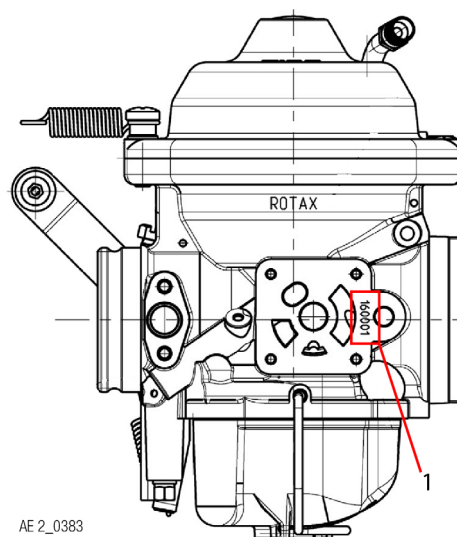


See current Maintenance Manual Heavy (MMH) for the respective engine type.

3.5.1) Check the carburetor serial number

See Fig. 1.

1 Carburetor serial number



AE 2_0383

Fig. 1

d06906.fm

SERVICE BULLETIN

3.5.2) Removal of support spring

See Fig. 2.

Step	Procedure
1	Loosen clamp (1) at compensating tube and turn the clamp towards the carburetor to ease the tension on the spring (2).

NOTICE

If spring is missing or broken and/or parts are missing, make sure to check the engine compartment for remaining parts.

- 1. Clamp
- 2. Spring

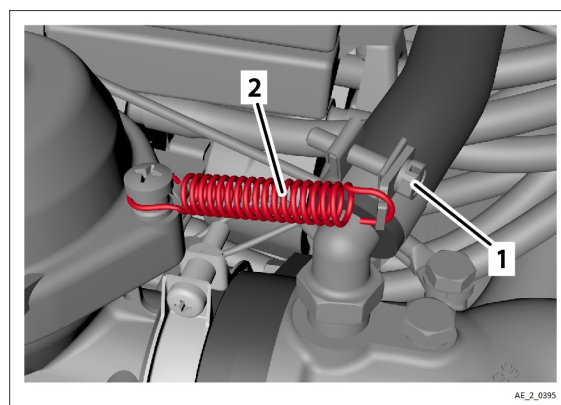


Fig. 2

See Fig. 3.

Step	Procedure
2	Remove oval head screw M5x20 (3) with distance sleeve (4). Remove affected spring and mark as unserviceable.

- 3 Oval head screw M5x20
- 4 Distance sleeve
- 5 Bracket

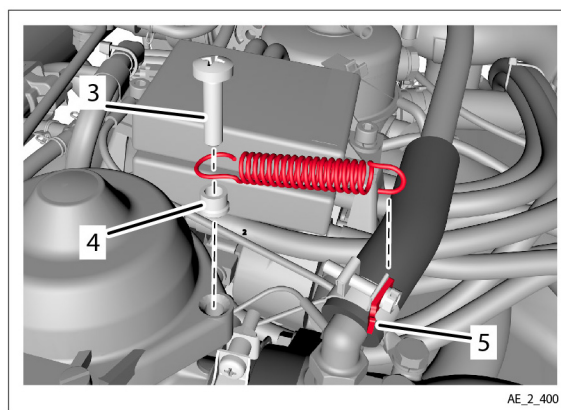


Fig. 3

d06906.fm

SERVICE BULLETIN

3.5.3) Installation of new spring part no. 838242

See Fig. 4.

Step	Procedure
1	Attach new spring part no. 838242 (1) between Oval Head screw M5x20 (2) and distance sleeve (3).
2	Reinstall and tighten Oval Head screw M5x20 (2). Tightening torque 6 Nm (55 in.).

- 1 Spring
- 2 Oval Head screw M5x20
- 3 Distance sleeve
- 4 Bracket

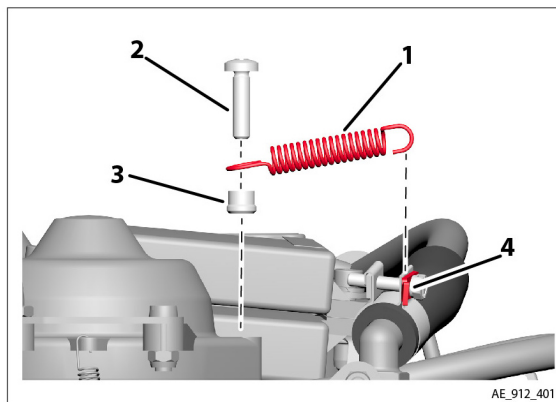


Fig. 4

See Fig. 5.

Step	Procedure
3	Attach new spring to carburetor at distance sleeve (3) and bracket (4)

NOTICE

To ensure efficient carburetor suspension, a distance of 40 mm (1.57 in.) between the clamp bracket and the distance sleeve must be respected. Do not mount the new spring with a sharp edged tool.

- 3 Distance sleeve
- 4 Clamp

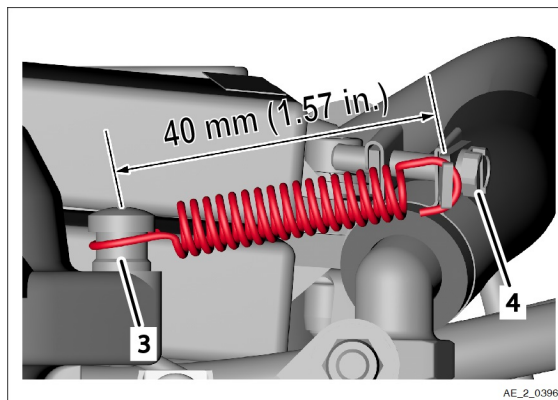


Fig. 5

d06906.fm

SERVICE BULLETIN

See Fig. 6.

NOTE: If your engine is equipped with an old execution of this support spring system and was equipped with an affected spring part no. 838242 also follow the following additional information.

Step	Procedure
4	Check distance of 5 to 6mm (0.2 in. to 0.24 in.) on Oval Head screw M5x12 as this is important to allow free movement of the spring.

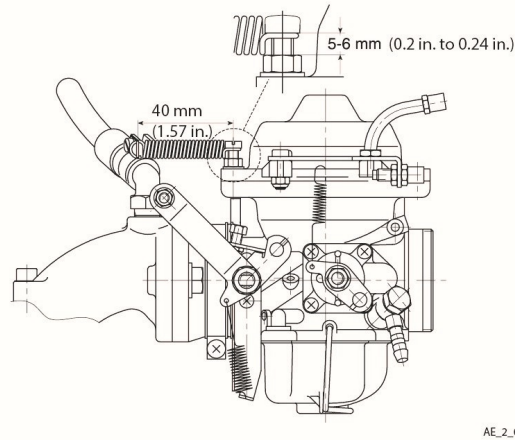


Fig. 6

3.6) Finishing work

- Restore aircraft to original operating configuration
- Connect negative terminal of aircraft battery

3.7) Test run

Conduct test run.

In case of uninstalled engines test run is accomplished with the mandatory test run after installation into aircraft.



See Chapter 12-20-00 of the latest Maintenance Manual Line (MML) for the respective engine type.

3.8) Summary

These instructions (section 3) have to be followed in accordance with the deadlines specified in section 1.5.

The execution of the mandatory Service Bulletin must be confirmed in the logbook.

NOTE: Work on EASA certified parts might affect the EASA Form 1 and does require appropriate documentation by authorized persons. Repairs must be entered into the engine logbook and also do apply for the EASA Form 1.

d06906.fm

SERVICE BULLETIN

I A revision bar outside of the page margin indicates a change to text or graphic.

Translation into other languages might be performed in the course of language localization but does not lie within ROTAX® scope of responsibility.

In any case the original text in English language and the metric units are authoritative.

3.9) Inquiries

Inquiries regarding this Service Bulletin should be sent to the ROTAX® Authorized Distributor of your area.

A list of all ROTAX® Authorized Distributors or their independent Service Centers is provided on <http://dealerlocator.flyrotax.com>.

NOTE: The illustrations in this document show the typical construction. They may not represent full detail or the exact shape of the parts which have the same or similar function.

Exploded views are **not technical drawings** and are for reference only. For specific detail, refer to the current documents of the respective engine type.

4) Appendix

See the attached table for affected carburetors.

S/N carburetor 1/3	Carburetor (1/3) part no.	S/N carburetor 2/4	Carburetor (2/4) part no.
192046	892520	211039	892525
194060	892500	203014	892505
194061	892500	203013	892505
194063	892500	203008	892505
194190	892500	203024	892505
202509	892520	210222	892525
202531	892520	210182	892525
202533	892520	210180	892525
202661	892500	203005	892505
202667	892500	203019	892505
202669	892500	203033	892505
202670	892500	203025	892505
202672	892500	203009	892505
202674	892500	203026	892505
202675	892500	203032	892505
202677	892500	203010	892505
202682	892500	203017	892505
202683	892500	203018	892505
202886	892530	202844	892535
202887	892530	202831	892535
202888	892530	202811	892535
202889	892530	202801	892535
202890	892530	202839	892535
202891	892530	202833	892535
202892	892530	202812	892535
202893	892530	202808	892535
202894	892530	202803	892535
202895	892530	202788	892535
202896	892530	202798	892535
202897	892530	202802	892535
202898	892530	202807	892535
202899	892530	202804	892535
202900	892530	202799	892535
202901	892530	202826	892535
202902	892530	202821	892535
202904	892530	202822	892535
202905	892530	202818	892535
202906	892530	202820	892535
202907	892530	202816	892535
202908	892530	202823	892535
202909	892530	202829	892535
202911	892530	202835	892535
202912	892530	202830	892535
202913	892530	202832	892535
202914	892530	202819	892535
202915	892530	202828	892535
202916	892530	202840	892535
202917	892530	202824	892535
202918	892530	202817	892535
202919	892530	202852	892535
202920	892530	202851	892535
202921	892530	202842	892535
202922	892530	202837	892535
202923	892530	202841	892535
202924	892530	202838	892535

S/N carburetor 1/3	Carburetor (1/3) part no.	S/N carburetor 2/4	Carburetor (2/4) part no.
202925	892530	202859	892535
202926	892530	202825	892535
202928	892530	202827	892535
202929	892530	202858	892535
202930	892530	202834	892535
202931	892530	202836	892535
202932	892530	202857	892535
202933	892530	202855	892535
202934	892530	203104	892535
202935	892530	203112	892535
202936	892530	202871	892535
202937	892530	202854	892535
202938	892530	202848	892535
202939	892530	203078	892535
202940	892530	202785	892535
202941	892530	202861	892535
202942	892530	202875	892535
202943	892530	202784	892535
202944	892530	202883	892535
202945	892530	203077	892535
202946	892530	202881	892535
202947	892530	202866	892535
202948	892530	202868	892535
202949	892530	202876	892535
202950	892530	203079	892535
202951	892530	202850	892535
202952	892530	202860	892535
202953	892530	202847	892535
202954	892530	202863	892535
202955	892530	202865	892535
202956	892530	202856	892535
202957	892530	202862	892535
202958	892530	202853	892535
202959	892530	202849	892535
202960	892530	202846	892535
202961	892530	202878	892535
202962	892530	202872	892535
202963	892530	202864	892535
202964	892530	202882	892535
202965	892530	202867	892535
202967	892530	203075	892535
202968	892530	203071	892535
202969	892530	203066	892535
202970	892530	202877	892535
202971	892530	203080	892535
202972	892530	203054	892535
202973	892530	202879	892535
202974	892530	202870	892535
202975	892530	203083	892535
202976	892530	202869	892535
202977	892530	203065	892535
202978	892530	203081	892535
202979	892530	202880	892535
202980	892530	203064	892535
202981	892530	202873	892535

S/N carburetor 1/3	Carburetor (1/3) part no.	S/N carburetor 2/4	Carburetor (2/4) part no.
202982	892530	202874	892535
202983	892530	203070	892535
202984	892530	203073	892535
202985	892530	203076	892535
210001	892530	203063	892535
210002	892530	203074	892535
210003	892530	203056	892535
210004	892530	203055	892535
210005	892530	202884	892535
210006	892530	203072	892535
210007	892530	203061	892535
210008	892530	203062	892535
210009	892530	203044	892535
210010	892530	203043	892535
210011	892530	203053	892535
210012	892530	203036	892535
210013	892530	203041	892535
210014	892530	203048	892535
210015	892530	203039	892535
210016	892530	203130	892535
210017	892530	203046	892535
210018	892530	203049	892535
210019	892530	202885	892535
210020	892530	203050	892535
210021	892530	203037	892535
210022	892530	203038	892535
210023	892530	203042	892535
210024	892530	203040	892535
210025	892530	203045	892535
210026	892530	203129	892535
210027	892530	203047	892535
210028	892530	203128	892535
210029	892530	203052	892535
210030	892530	203126	892535
210031	892530	203131	892535
210032	892530	203059	892535
210033	892530	203111	892535
210034	892530	203116	892535
210035	892530	203132	892535
210036	892530	203068	892535
210037	892530	203110	892535
210038	892530	203058	892535
210039	892530	203127	892535
210040	892530	203057	892535
210041	892530	203109	892535
210042	892530	203108	892535
210043	892530	203069	892535
210044	892530	203118	892535
210045	892530	203105	892535
210046	892530	203125	892535
210047	892530	203060	892535
210048	892530	203067	892535
210049	892530	203121	892535
210050	892530	203120	892535
210051	892530	210314	892535

S/N carburetor 1/3	Carburetor (1/3) part no.	S/N carburetor 2/4	Carburetor (2/4) part no.
210052	892530	210525	892535
210053	892530	203088	892535
210054	892530	203093	892535
210055	892530	203086	892535
210056	892530	203089	892535
210057	892530	203114	892535
210058	892530	203091	892535
210059	892530	203097	892535
210060	892530	203095	892535
210061	892530	203113	892535
210062	892530	203090	892535
210063	892530	203098	892535
210064	892530	203092	892535
210065	892530	203096	892535
210066	892530	203107	892535
210067	892530	203115	892535
210068	892530	203106	892535
210069	892530	203117	892535
210070	892530	203122	892535
210071	892530	203100	892535
210072	892530	203099	892535
210073	892530	203119	892535
210074	892530	203124	892535
210075	892530	203133	892535
210076	892530	203085	892535
210077	892530	203102	892535
210078	892530	203087	892535
210080	892530	203123	892535
210081	892530	210286	892535
210082	892530	210291	892535
210083	892530	210300	892535
210084	892530	210282	892535
210085	892530	210295	892535
210086	892530	210297	892535
210087	892530	210279	892535
210088	892530	210306	892535
210089	892530	203094	892535
210090	892530	210280	892535
210091	892530	210302	892535
210092	892530	210307	892535
210093	892530	210283	892535
210094	892530	203084	892535
210095	892530	203103	892535
210096	892530	210281	892535
210097	892530	203134	892535
210098	892530	210290	892535
210099	892530	203135	892535
210100	892530	210288	892535
210131	892520	210179	892525
210133	892520	210187	892525
210159	892520	210228	892525
210161	892520	210226	892525
210162	892520	210223	892525
210163	892520	210212	892525
210164	892520	210224	892525

S/N carburetor 1/3	Carburetor (1/3) part no.	S/N carburetor 2/4	Carburetor (2/4) part no.
210165	892520	210225	892525
210166	892520	210220	892525
210167	892520	210723	892525
210168	892520	201010	892525
210169	892520	210219	892525
210170	892520	210722	892525
210171	892520	210724	892525
210172	892520	210727	892525
210173	892520	210720	892525
210327	892530	210318	892535
210328	892530	210529	892535
210329	892530	210311	892535
210330	892530	210528	892535
210331	892530	210305	892535
210332	892530	210325	892535
210333	892530	210289	892535
210334	892530	210315	892535
210335	892530	210304	892535
210336	892530	210534	892535
210337	892530	210322	892535
210338	892530	210319	892535
210339	892530	210310	892535
210340	892530	210320	892535
210341	892530	210324	892535
210342	892530	210533	892535
210343	892530	210296	892535
210344	892530	210293	892535
210345	892530	210321	892535
210346	892530	210287	892535
210347	892530	210292	892535
210348	892530	210308	892535
210349	892530	210299	892535
210350	892530	210298	892535
210351	892530	210326	892535
210352	892530	210285	892535
210353	892530	210284	892535
210354	892530	210323	892535
210355	892530	210294	892535
210356	892530	210303	892535
210357	892530	210541	892535
210358	892530	210564	892535
210359	892530	210558	892535
210360	892530	210312	892535
210361	892530	210317	892535
210362	892530	210540	892535
210363	892530	210556	892535
210364	892530	210531	892535
210365	892530	210538	892535
210366	892530	210316	892535
210367	892530	210309	892535
210368	892530	210532	892535
210369	892530	210545	892535
210370	892530	210553	892535
210371	892530	210313	892535
210372	892530	210526	892535

S/N carburetor 1/3	Carburetor (1/3) part no.	S/N carburetor 2/4	Carburetor (2/4) part no.
210373	892530	210551	892535
210374	892530	210542	892535
210375	892530	210618	892535
210376	892530	210598	892535
210377	892530	210238	892535
210378	892530	210586	892535
210379	892530	210602	892535
210380	892530	210615	892535
210381	892530	210589	892535
210382	892530	210592	892535
210383	892530	210230	892535
210384	892530	210590	892535
210385	892530	210583	892535
210386	892530	210239	892535
210387	892530	210612	892535
210388	892530	210595	892535
210389	892530	210621	892535
210390	892530	210619	892535
210391	892530	210613	892535
210392	892530	210616	892535
210393	892530	210599	892535
210394	892530	210606	892535
210395	892530	210235	892535
210396	892530	210608	892535
210397	892530	210594	892535
210398	892530	210605	892535
210399	892530	210607	892535
210400	892530	210597	892535
210401	892530	210624	892535
210402	892530	210601	892535
210403	892530	210623	892535
210404	892530	210242	892535
210405	892530	210243	892535
210406	892530	210232	892535
210407	892530	210241	892535
210408	892530	210236	892535
210409	892530	210249	892535
210410	892530	210253	892535
210411	892530	210252	892535
210412	892530	210254	892535
210413	892530	210248	892535
210414	892530	210229	892535
210415	892530	210246	892535
210416	892530	210244	892535
210417	892530	210258	892535
210418	892530	210610	892535
210419	892530	210234	892535
210420	892530	210255	892535
210421	892530	210233	892535
210422	892530	210247	892535
210423	892530	210257	892535
210424	892530	210251	892535
210425	892530	210548	892535
210426	892530	210555	892535
210427	892530	210539	892535

S/N carburetor 1/3	Carburetor (1/3) part no.	S/N carburetor 2/4	Carburetor (2/4) part no.
210428	892530	210571	892535
210429	892530	210546	892535
210430	892530	210591	892535
210431	892530	210537	892535
210432	892530	210560	892535
210433	892530	210568	892535
210434	892530	210559	892535
210435	892530	210554	892535
210436	892530	210573	892535
210437	892530	210543	892535
210438	892530	210544	892535
210439	892530	210563	892535
210440	892530	210574	892535
210441	892530	210570	892535
210442	892530	210584	892535
210443	892530	210561	892535
210444	892530	210567	892535
210445	892530	210535	892535
210446	892530	210552	892535
210447	892530	210569	892535
210448	892530	210572	892535
210449	892530	210557	892535
210450	892530	210562	892535
210451	892530	210566	892535
210452	892530	210565	892535
210453	892530	210579	892535
210454	892530	210536	892535
210455	892530	210550	892535
210456	892530	210622	892535
210457	892530	210585	892535
210458	892530	210604	892535
210459	892530	210620	892535
210460	892530	210576	892535
210461	892530	210527	892535
210462	892530	210609	892535
210463	892530	210603	892535
210464	892530	210587	892535
210465	892530	210577	892535
210466	892530	210600	892535
210467	892530	210578	892535
210468	892530	210593	892535
210469	892530	210611	892535
210470	892530	210582	892535
210472	892530	210581	892535
210473	892530	210614	892535
210474	892530	210549	892535
210475	892520	210755	892525
210477	892520	210729	892525
210479	892520	210218	892525
210480	892520	210728	892525
210481	892520		892525
210482	892520	210213	892525
210483	892520	210227	892525
210484	892520	210221	892525
210485	892520	210745	892525

S/N carburetor 1/3	Carburetor (1/3) part no.	S/N carburetor 2/4	Carburetor (2/4) part no.
210487	892520	210735	892525
210488	892520	210739	892525
210489	892520	210744	892525
210490	892520	210743	892525
210491	892520	210748	892525
210492	892520	210732	892525
210493	892520	210738	892525
210494	892520	210740	892525
210495	892520	210731	892525
210496	892520	210734	892525
210498	892520	211040	892525
210499	892520	210741	892525
210503	892520	211048	892525
210504	892520	210725	892525
210505	892520	210746	892525
210506	892520	210736	892525
210507	892520	211052	892525
210508	892520	211049	892525
210509	892520	211177	892525
210510	892520	210733	892525
210511	892520	210742	892525
210513	892520	211037	892525
210514	892520	211047	892525
210515	892520	211053	892525
210516	892520	211054	892525
210517	892520	210768	892525
210518	892520	210730	892525
210519	892520	211042	892525
210520	892520	211050	892525
210521	892520	211036	892525
210522	892520	211033	892525
210523	892520	210737	892525
210524	892520	210747	892525
210625	892500	203012	892505
210626	892500	202986	892505
210627	892500	202990	892505
210628	892500	203015	892505
210629	892500	202991	892505
210630	892500	210795	892505
210631	892500	203006	892505
210632	892500	203000	892505
210633	892500	203003	892505
210634	892500	203007	892505
210635	892500	202995	892505
210636	892500	202993	892505
210637	892500	203011	892505
210638	892500	203001	892505
210640	892500	202987	892505
210641	892500	202992	892505
210643	892500	202994	892505
210644	892500	202395	892505
210646	892500	202394	892505
210647	892500	202997	892505
210649	892500	202996	892505
210650	892500	203002	892505

S/N carburetor 1/3	Carburetor (1/3) part no.	S/N carburetor 2/4	Carburetor (2/4) part no.
210651	892500	210798	892505
210652	892500	202988	892505
210656	892500	210792	892505
210657	892500	210791	892505
210658	892500	210778	892505
210660	892500	210797	892505
210664	892500	202998	892505
210666	892500	210785	892505
210669	892500	210794	892505
210670	892530	211258	892535
210671	892530	211226	892535
210673	892530	211215	892535
210674	892530	211169	892535
210675	892530	211168	892535
210677	892530	211134	892535
210678	892530	211132	892535
210679	892530	211239	892535
210680	892530	211219	892535
210681	892530	211256	892535
210682	892530	211133	892535
210683	892530	211254	892535
210684	892530	211166	892535
210685	892530	211130	892535
210687	892530	211145	892535
210690	892530	211159	892535
210693	892530	211165	892535
210694	892530	211129	892535
210697	892530	211167	892535
210700	892530	211131	892535
210701	892530	211227	892535
210702	892530	211126	892535
210704	892530	211230	892535
210705	892530	211222	892535
210706	892530	211124	892535
210707	892530	211228	892535
210709	892530	211255	892535
210710	892530	211216	892535
210711	892530	211121	892535
210712	892530	211122	892535
210713	892530	211123	892535
210714	892530	211127	892535
210715	892530	211229	892535
210716	892530	211214	892535
210717	892530	211128	892535
210718	892530	211225	892535
210719	892530	211232	892535
210818	892530	211085	892535
210819	892530	210264	892535
210820	892530	211112	892535
210821	892530	211089	892535
210822	892530	211077	892535
210823	892530	211074	892535
210824	892530	210271	892535
210825	892530	210273	892535
210826	892530	211076	892535

S/N carburetor 1/3	Carburetor (1/3) part no.	S/N carburetor 2/4	Carburetor (2/4) part no.
210827	892530	211118	892535
210828	892530	210269	892535
210829	892530	211113	892535
210830	892530	211111	892535
210831	892530	211106	892535
210832	892530	211102	892535
210833	892530	211119	892535
210834	892530	211115	892535
210835	892530	211083	892535
210836	892530	210276	892535
210837	892530	211105	892535
210838	892530	211116	892535
210839	892530	210270	892535
210841	892530	211109	892535
210842	892530	211082	892535
210843	892530	211110	892535
210844	892530	211079	892535
210845	892530	211108	892535
210846	892530	211100	892535
210847	892530	210262	892535
210848	892530	210272	892535
210849	892530	211107	892535
210850	892530	210274	892535
210851	892530	210265	892535
210852	892530	211233	892535
210853	892530	210240	892535
210854	892530	210268	892535
210855	892530	210263	892535
210856	892530	210278	892535
210857	892530	210275	892535
210858	892530	210277	892535
210859	892530	210267	892535
210860	892530	210245	892535
210861	892530	211099	892535
210862	892530	210259	892535
210863	892530	211114	892535
210864	892530	211094	892535
210865	892530	210266	892535
210866	892530	211091	892535
210867	892530	211080	892535
210868	892530	211146	892535
210869	892530	211161	892535
210870	892530	211086	892535
210871	892530	211144	892535
210872	892530	211087	892535
210873	892530	211088	892535
210874	892530	211164	892535
210875	892530	211095	892535
210877	892530	211140	892535
210878	892530	211073	892535
210879	892530	211093	892535
210880	892530	211142	892535
210881	892530	211078	892535
210882	892530	211098	892535
210883	892530	211147	892535

S/N carburetor 1/3	Carburetor (1/3) part no.	S/N carburetor 2/4	Carburetor (2/4) part no.
210884	892530	211156	892535
210885	892530	211148	892535
210886	892530	211143	892535
210887	892530	211135	892535
210888	892530	211154	892535
210889	892530	211149	892535
210890	892530	211162	892535
210891	892530	211160	892535
210892	892530	211163	892535
210893	892530	211137	892535
210894	892530	211139	892535
210895	892530	211138	892535
210896	892530	211141	892535
210897	892530	211136	892535
210898	892530	211096	892535
210899	892530	211075	892535
210900	892530	211097	892535
210901	892530	211071	892535
210902	892530	211117	892535
210903	892530	211153	892535
210904	892530	211072	892535
210905	892530	211081	892535
210906	892530	211155	892535
210907	892530	211152	892535
210908	892530	211104	892535
210909	892530	211151	892535
210910	892530	211092	892535
210911	892530	211101	892535
210912	892530	211070	892535
210913	892530	211103	892535
210914	892530	211090	892535
210915	892530	211158	892535
210916	892530	211150	892535
210917	892530	211157	892535
210933	892530	211261	892535
210934	892530	211236	892535
210935	892530	211305	892535
210936	892530	211224	892535
210937	892530	211240	892535
210938	892530	211237	892535
210939	892530	211223	892535
210940	892530	211257	892535
210941	892530	211089	892535
210942	892530	211309	892535
210943	892530	211221	892535
210945	892530	211231	892535
210947	892530	211244	892535
210948	892530	211251	892535
210950	892530	211246	892535
210952	892530	211253	892535
210954	892530	211211	892535
210956	892530	211234	892535
210957	892530	211303	892535
210958	892530	211297	892535
210959	892530	211275	892535

S/N carburetor 1/3	Carburetor (1/3) part no.	S/N carburetor 2/4	Carburetor (2/4) part no.
210960	892530	211213	892535
210961	892530	211248	892535
210962	892530	211287	892535
210963	892530	211241	892535
210964	892530	211238	892535
210965	892530	211300	892535
210966	892530	211235	892535
210968	892530	211220	892535
210969	892530	211249	892535
210970	892530	211295	892535
210972	892530	211284	892535
210973	892530	211298	892535
210974	892530	211245	892535
210975	892530	211217	892535
210976	892530	211296	892535
210977	892530	211252	892535
210978	892530	211301	892535
210979	892530	211210	892535
210980	892530	211299	892535
210981	892530	211304	892535
210982	892520	211044	892525
210983	892520	211045	892525
210984	892520	211046	892525
210985	892520	211041	892525
210986	892520	211032	892525
210987	892520	211055	892525
210988	892520	211038	892525
210990	892520	211198	892525
210992	892520	210764	892525
210993	892520	200033	892525
210995	892520	211196	892525
210998	892520	211187	892525
211000	892520	210759	892525
211003	892520	211202	892525
211004	892520	211185	892525
211005	892520	211191	892525
211006	892520	211200	892525
211007	892520	211195	892525
211008	892520	211190	892525
211011	892520	211184	892525
211013	892520	210760	892525
211021	892520	211178	892525
211022	892520	211188	892525
211023	892520	210763	892525
211029	892520	211192	892525
211310	892530	211615	892535
211313	892530	211613	892535
211316	892530	211611	892535
211321	892530	211616	892535
211322	892530	211585	892535
211325	892530	211601	892535
211326	892530	211599	892535
211327	892530	211612	892535
211328	892530	211596	892535
211329	892530	211594	892535

S/N carburetor 1/3	Carburetor (1/3) part no.	S/N carburetor 2/4	Carburetor (2/4) part no.
211330	892530	211570	892535
211331	892530	211597	892535
211332	892530	211591	892535
211333	892530	211573	892535
211334	892530	211606	892535
211335	892530	211604	892535
211336	892530	211605	892535
211337	892530	211574	892535
211338	892530	211567	892535
211339	892530	211564	892535
211340	892530	211561	892535
211341	892530	211590	892535
211342	892530	211572	892535
211343	892530	211618	892535
211344	892530	211609	892535
211345	892530	211571	892535
211346	892530	211610	892535
211347	892530	211586	892535
211348	892530	211608	892535
211349	892530	211619	892535
211350	892530	211595	892535
211351	892530	211565	892535
211352	892530	211563	892535
211353	892530	211600	892535
211354	892530	211607	892535
211355	892530	211569	892535
211510	892530	211593	892535
211511	892530	211580	892535
211512	892530	211289	892535
211513	892530	211285	892535
211514	892530	211603	892535
211515	892530	211283	892535
211516	892530	211598	892535
211517	892530	211582	892535
211518	892530	211581	892535
211519	892530	211579	892535
211521	892530	211592	892535
211522	892530	211602	892535
211523	892530	211584	892535
211524	892530	211589	892535
211526	892530	211583	892535
211527	892530	211286	892535
211528	892530	211265	892535
211529	892530	211562	892535
211530	892530	211566	892535
211534	892530	211575	892535
211537	892530	211273	892535
211538	892530	211277	892535
211539	892530	211266	892535
211540	892530	211293	892535
211542	892530	211281	892535
211544	892530	211291	892535
211545	892530	211274	892535
211547	892530	211578	892535
211548	892530	211294	892535

S/N carburetor 1/3	Carburetor (1/3) part no.	S/N carburetor 2/4	Carburetor (2/4) part no.
211549	892530	211307	892535
211550	892530	211306	892535
211552	892530	211272	892535
211553	892530	211276	892535
211554	892530	211278	892535
211555	892530	211264	892535
211556	892530	211282	892535
211557	892530	211308	892535
211558	892530	211279	892535
211559	892530	211280	892535