



## Crankcase modifications - ROTAX 582 DCDI

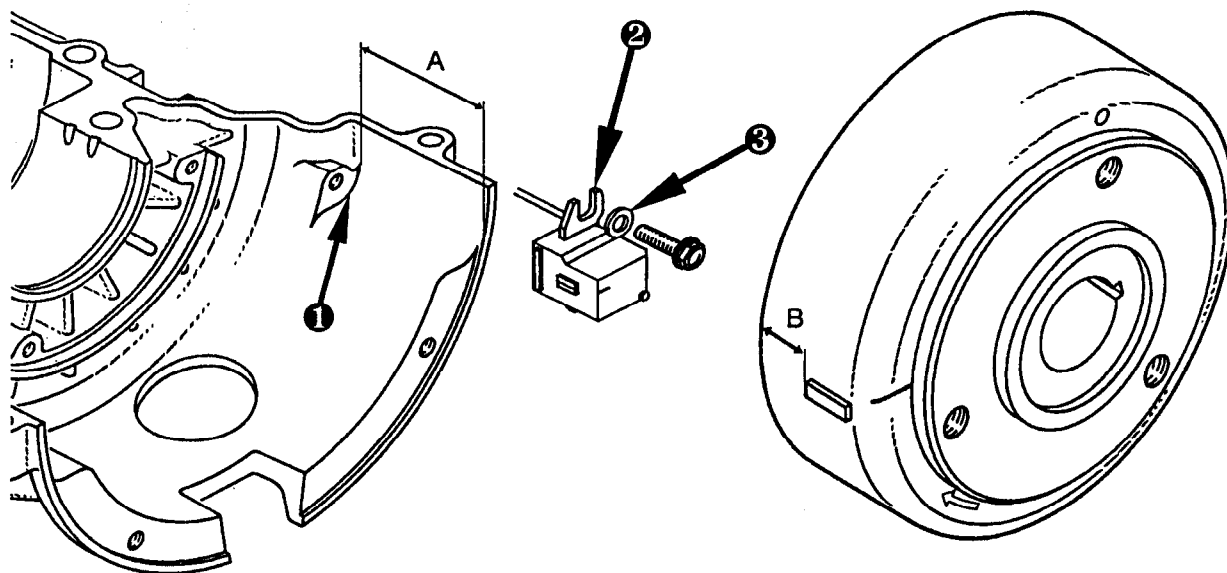
### 1) General

As of engine serial no. 4.084.219 a new crankcase (part no. 886 466) was introduced, replacing the former one (886 221).

### 2) Modifications

In the new crankcase the dimension „A“ for pick up support ❶ was modified from 30 mm to 55,8 mm. Due to this modification the new pick-ups (965 760 and 965 767), introduced with engine no. 4.017.191, can be fitted and adjusted easier.

The new modified U-shaped fixation brackets ❷ require 4 shims ❸ (827 800).



### The illustration shows the situation after modification

Due to the new pick-up position, the position of the trigger boss „B“ on magneto flywheel has been modified from 17 mm to 14,5 mm.

As a consequence, a new magneto generator P12W 150 (part no.996 832) was introduced as replacement for part no. 996 830, as of engine no. 4.084.219.

The magneto flywheel (part no. 996 820) was replaced by the new magneto flywheel (996 821).

This magneto flywheel can be used on all engines 582 (also before serial no. 4.084.219).



### 3) Block engines (with or without oil pump)

These modifications also refer to block engines without oil pump (part no. 881 470) and block engines with oil pump (part no. 881 471).

#### 3.1) Block engine without oil pump

**3.1.1) Block engine without oil pump (part no. 881 470) up to engine serial no. 4,017.190 is replaced by**

- 1 x 881 480 block engine without oil pump
- 1 x 996 821 magneto flywheel
- 1 x 965 760 pick-up
- 1 x 965 767 pick-up
- 4 x 827 800 shim

**3.1.2) From engine no. 4,017.191 up to no. 4,084.218 the block engine (881 470) is replaced by**

- 1 x 881 480 block engine
- 1 x 996 821 magneto flywheel

**3.1.3) From engine serial no. 4,084.219 onwards the block engine (881 470) is replaced by**

- 1 x 881 480 block engine

#### 3.2) Block engine with oil pump

**3.2.1) Block engine with oil pump (part no. 881 471) up to engine serial no. 4,017.190 is replaced by**

- 1 x 881 481 block engine with oil pump
- 1 x 996 821 magneto flywheel
- 1 x 965 760 pick-up
- 1 x 965 767 pick-up
- 4 x 827 800 shim

**3.2.2) From engine no. 4,017.191 up to no. 4,084.218 the block engine (881 471) is replaced by**

- 1 x 881 481 block engine
- 1 x 996 821 magneto flywheel

**3.2.3) From engine serial no. 4,084.219 onwards the block engine (881 471) is replaced by**

- 1 x 881 481 block engine

◆ Note:

When ordering, please, always mention:

- a) original engine serial number,  
and/or
- b) part number of new block engine (plus parts necessary for modification).